



ACM FILTRATION

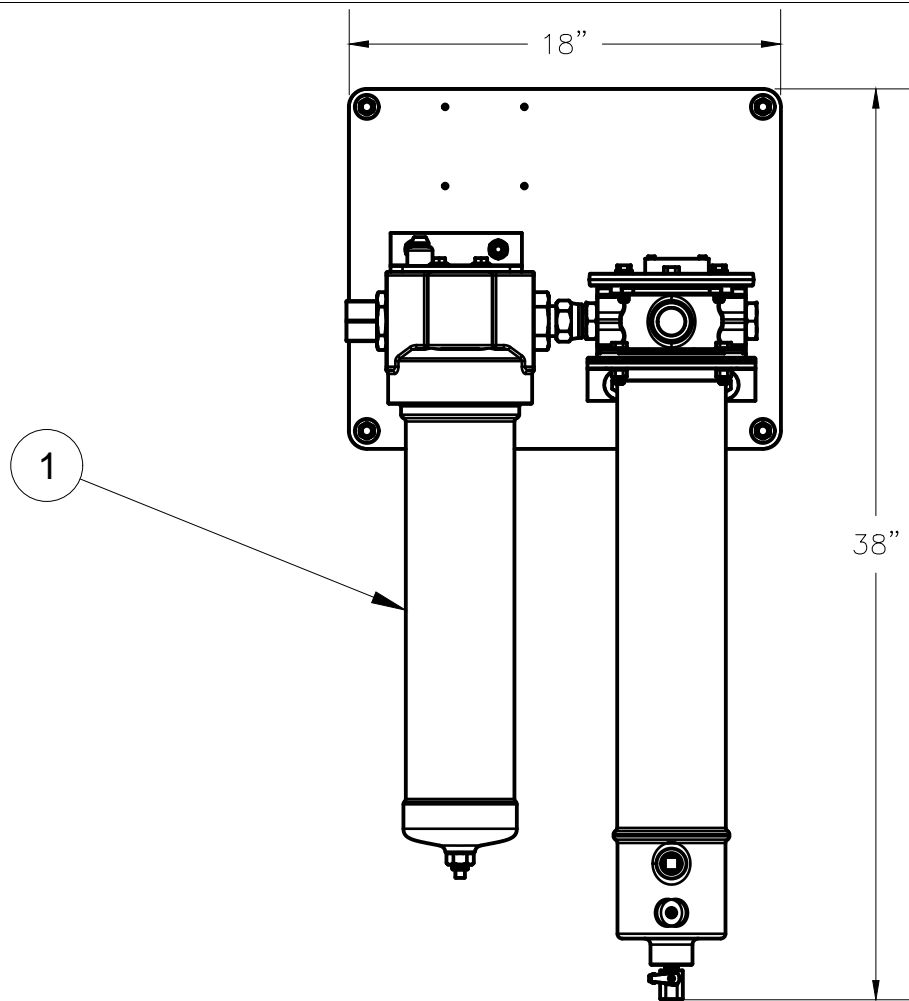
DRWN. SMB

SCALE NONE

CHK'D

ACM-1-BS

This drawing and the information depicted therein is the property of ACM Filtration. Copies are issued in strict confidence and shall not be reproduced, copied or used as the basis for the manufacture or sale of products without prior written permission of ACM Filtration.



ACM FILTRATION

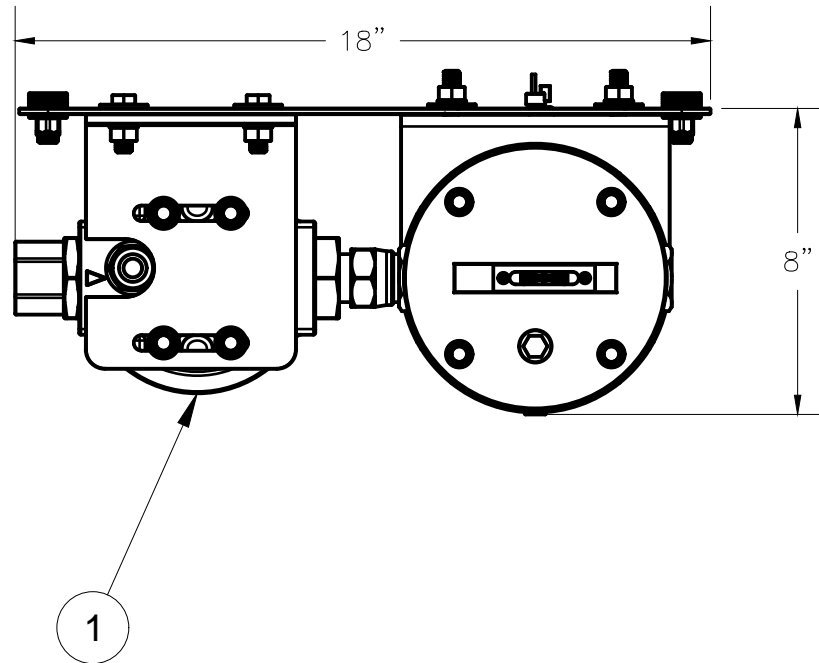
DRWN. SMB

SCALE 1:8

CHK'D

ACM-1-BS

This drawing and the information depicted therein is the property of ACM Filtration. Copies are issued in strict confidence and shall not be reproduced, copied or used as the basis for the manufacture or sale of products without prior written permission of ACM Filtration.



ACM FILTRATION

DRWN. SMB

SCALE 1:5

CHK'D

ACM-1-BS

This drawing and the information depicted therein is the property of ACM Filtration. Copies are issued in strict confidence and shall not be reproduced, copied or used as the basis for the manufacture or sale of products without prior written permission of ACM Filtration.

BILL OF MATERIAL

ACM-1-BS

No	DESCRIPTION	MFG	MODEL #	QUANT	SIZE	CERT
1	Bulk Diesel Particulate Filtration at 1 or 3 microns utilizing Excellement® synthetic Z-Media® element.	ACM FILTRATION	ACM-1-BS	1	-16 (ORB) SAE J1926	Tested to SAE J1488, SAE J11839 cUL
2	Bulk Diesel Particulate Removal and Coalescing Filtration Assembly. Patent-pending, three-phase, particulate and fuel/water separation media technology. Diesel Fuel Coalescing Filter with Single Pass Water Removal Efficiency >99.5%	ACM FILTRATION	ACM-1-BS	1	-16 (ORB) SAE J1926	Tested to SAE J1488, SAE J11839 and ISO16332 – Fuel Standards cUL